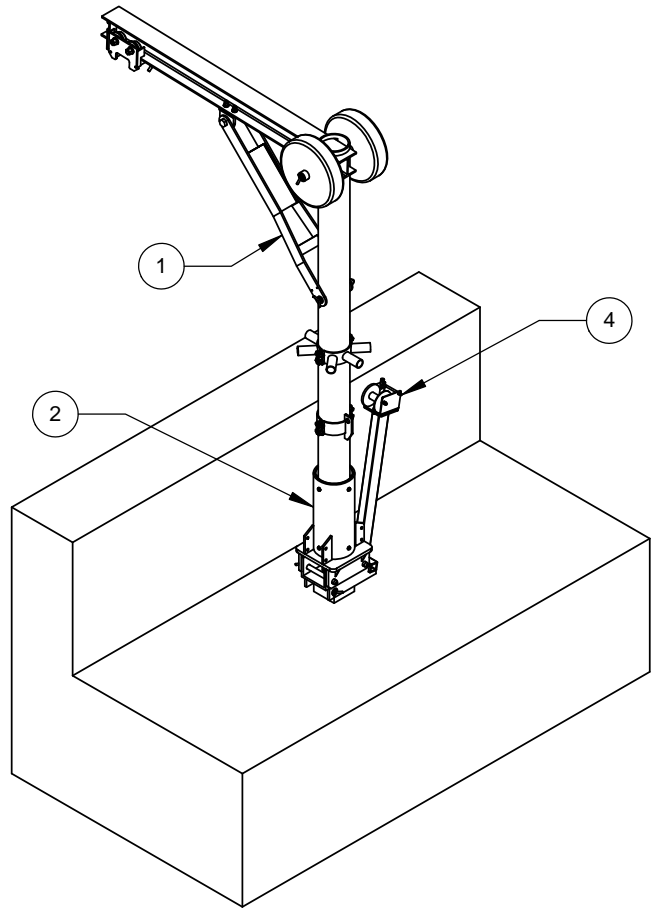
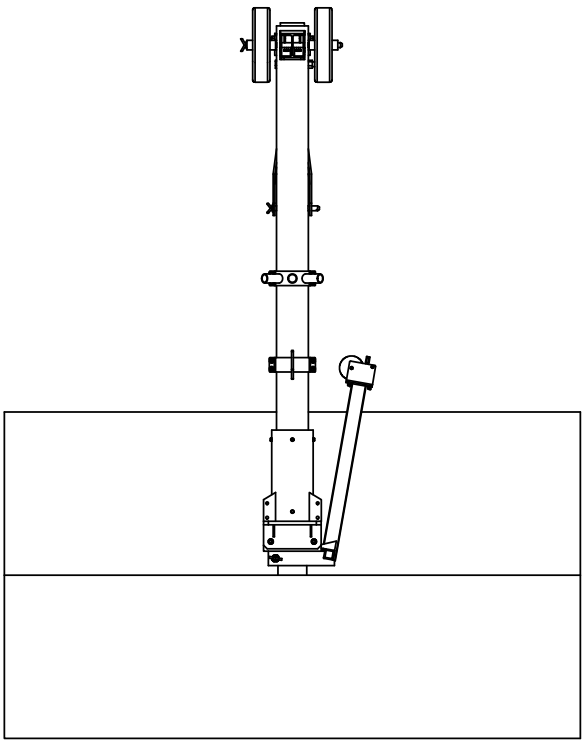
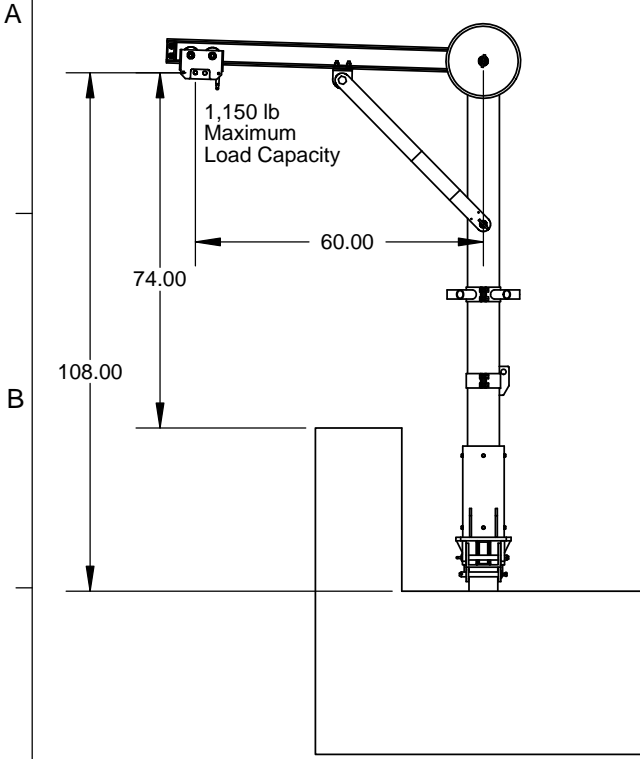


| ITEM NO. | QTY. | PART NO. | DESCRIPTION |
|----------|------|-----------|--|
| 1 | 1 | S1257-001 | Davit, 6in Pipe-8ftHx5ftO (Bot. Rot.) |
| 2 | 1 | S1257-002 | Davit, 6in Bottom Rotating Socket Assembly |
| 3 | 1 | S1257-999 | 1 South Church Street (existing) |
| 4 | 1 | S1257-003 | Davit Winch Assembly |



| | | | | | | | | | | | | | | | |
|--|------------------------|--|-------------------------------------|-----|-----|---|----|-----|-----|---|---|----|-----|-----|--|
| 1 | Released for project | BJA | 04-04-14 | | | | | | | | | | | | |
| REV | Revision Description | By | Date | | | | | | | | | | | | |
| DEBUR AND BREAK SHARP EDGES | | | | | | | | | | | | | | | |
| Material: Assembly | | Weight: 13059 LBS | | | | | | | | | | | | | |
| Treatment: N/A | | | | | | | | | | | | | | | |
| Raw material part number: | | | | | | | | | | | | | | | |
| Assembly | | Dimensions in [] are in mm Tol. ISO 2768-m <table border="1"> <tr> <td>></td> <td>0,5</td> <td>6</td> <td>30</td> <td>120</td> <td>400</td> </tr> <tr> <td><</td> <td>6</td> <td>30</td> <td>120</td> <td>400</td> <td></td> </tr> </table> | | > | 0,5 | 6 | 30 | 120 | 400 | < | 6 | 30 | 120 | 400 | |
| > | 0,5 | 6 | 30 | 120 | 400 | | | | | | | | | | |
| < | 6 | 30 | 120 | 400 | | | | | | | | | | | |
| Scale Size 1:40 B/A3 | | TOL. ±0.1 ±0.2 ±0.3 ±0.5 ±0.8 Machined surfaces 12.5 ISO 1302 | | | | | | | | | | | | | |
| CAD generated drawing. Do not manually update. Do not scale drawing. | | Unless otherwise stated tolerances in inches Product Line/Project: Davit | | | | | | | | | | | | | |
| Approvals | By: BJA Date: 04-04-14 | Fractions | Decimals Angles | | | | | | | | | | | | |
| Drawn | BJA 04-04-14 | | X ± .060 XX ± .015 XXX ± .005 | | | | | | | | | | | | |
| Approved | XX-XX-XX | | ALL ± .5° | | | | | | | | | | | | |
| | | Part No. S1257-001 App | | | | | | | | | | | | | |
| | | Sheet 1 of 1 | | | | | | | | | | | | | |

A

B

C

D

A

B

C

D

5

4

3

2

1

5

4

3

2

1